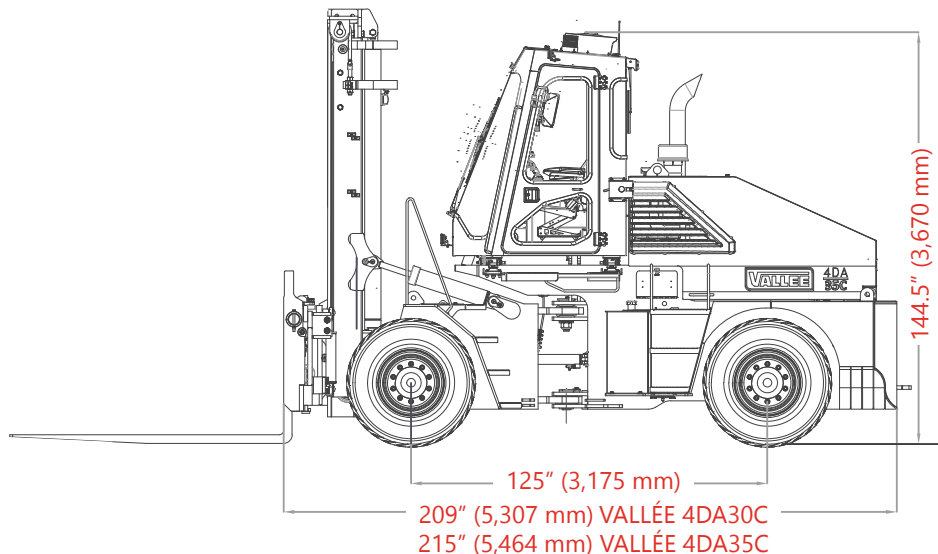
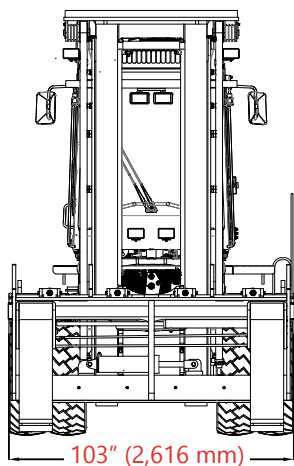




INTERMEDIARY SERIES
4DA30C, 4DA35C Lift Trucks

Technical specifications 4DA30C and 4DA35C Lift Trucks

	Description	Units	VALLÉE 4DA30C 30 @ 24	VALLÉE 4DA35C 35 @ 24	VALLÉE 4DA35C 35 @ 36
Specifications	Capacity (load/distance)	lb./in. (kg/mm)	30,000/24 (13,600/600)	35,000/24 (15,900/600)	35,000/36 (15,900/900)
	Lift height	in. (mm)	180 (4,572)	180 (4,572)	180 (4,572)
	Mast tilt angle (F/R)	degrees	15/15	15/15	15/15
	Overall length	in. (mm)	209 (5,307)	209 (5,307)	215 (5,464)
	Wheelbase	in. (mm)	125 (3,175)	125 (3,175)	125 (3,175)
	Overall width	in. (mm)	103 (2,616)	103 (2,616)	103 (2,616)
	Overall height, cab	in. (mm)	144.5 (3,670)	144.5 (3,670)	144.5 (3,670)
	Turning radius (exterior)	in. (mm)	227 (5,766)	227 (5,766)	227 (5,766)
	Turning radius (interior)	in. (mm)	117 (2,972)	117 (2,972)	117 (2,972)
	Unloaded weight	lb. (kg)	49,300 (22,360)	52,000 (23,636)	58,700 (26,682)
	Weight on front axle (laden)	lb. (kg)	70,300 (31,890)	77,200 (35,090)	82,800 (37,636)
	Weight on front axle (unladen)	lb. (kg)	24,300 (11,020)	23,500 (10,631)	25,200 (11,455)
	Weight on rear axle (laden)	lb. (kg)	9,000 (4,080)	9,800 (4,455)	10,900 (4,955)
	Weight on rear axle (unladen)	lb. (kg)	25,000 (11,340)	28,500 (12,954)	33,500 (15,227)
	Number of tires (F/R)		4/2	4/2	4/4
Tire size		12-20	12-20	12-20	
Engine and transmission	Engine (manufacture/model)		Cummins QSB 6.7 Tier 3	Cummins QSB 6.7 Tier 3	Cummins QSB 6.7 Tier 3
	Engine (output)	hp. (kW)	190 (142)	190 (142)	190 (142)
	Transmission (manufacture/type)		Funk (DF150)	Funk (DF150)	Funk (DF150)
	Number of gears (forward/reverse)		7/4	7/4	7/4
Performance	Speed (max. forward)		26/15	26/15	26/15
	Gradeability (laden)	%	40%	36%	32%
	Gradeability (unladen)	%	> 50%	> 50%	> 50%
	Lifting speed (laden)	ft./s(mm/s)	1.1 (335)	1.1 (335)	1.1 (335)



CHA_INTERMÉDIAIRE_2016-01-25_V1_LEN_C

