

# FORK ORDER FORM

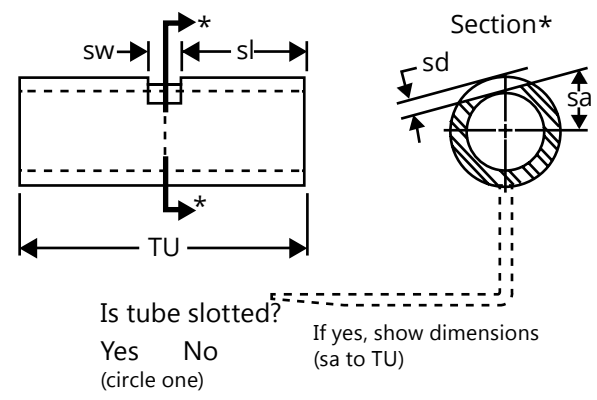
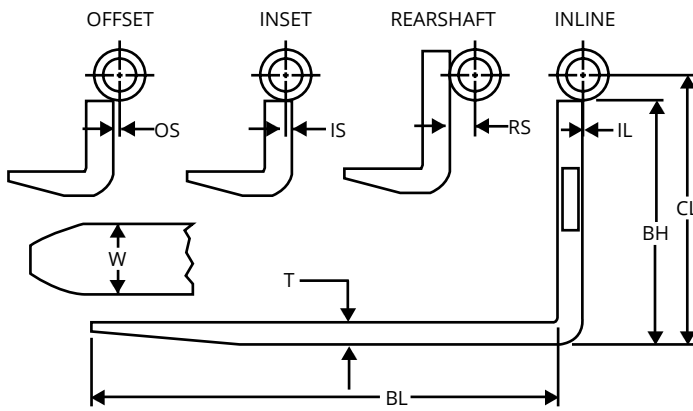
## Shaft/Pin/Bar Type Forks



### Order information

Business name:			Phone:	
Contact name:			Fax:	
Email:				
Truck make:	Truck model:	Truck capacity:	Fork capacity/pair:	Load centre:

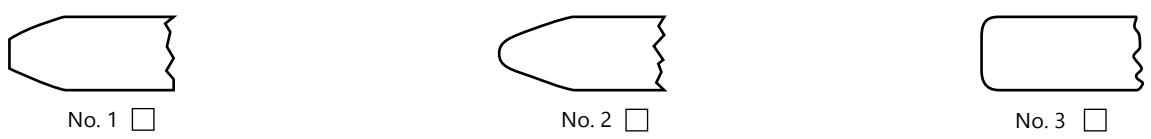
### Fork Details



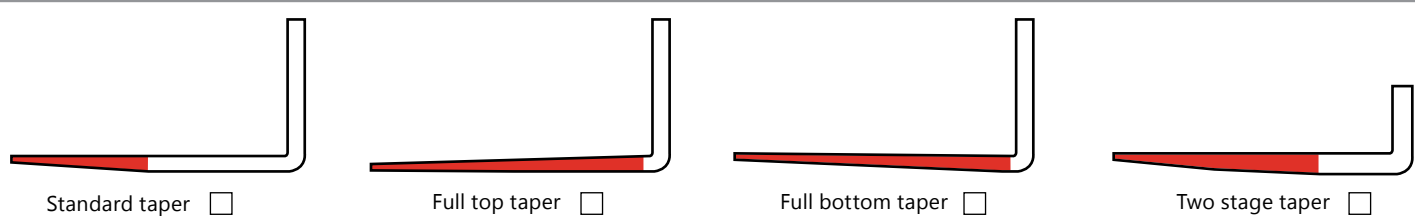
W:	OS:
T:	IS:
BL:	RS:
BH:	IL: 0
CL:	

Bar pin Ø:	sa:
Tube in Ø:	sd:
Tube out Ø:	sl:
TU:	sw:

### Fork tips



### Taper



Please email duly completed form to [forks@vallee.ca](mailto:forks@vallee.ca).  
For inquiries, call (418) 269-8955, ext. 104.