

FORK ORDER FORM

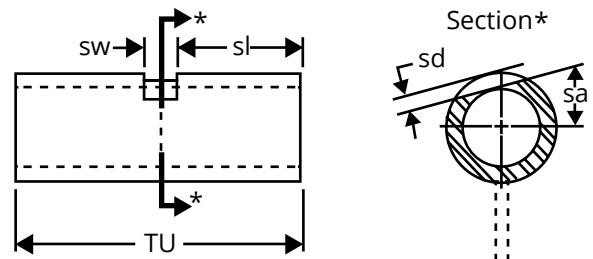
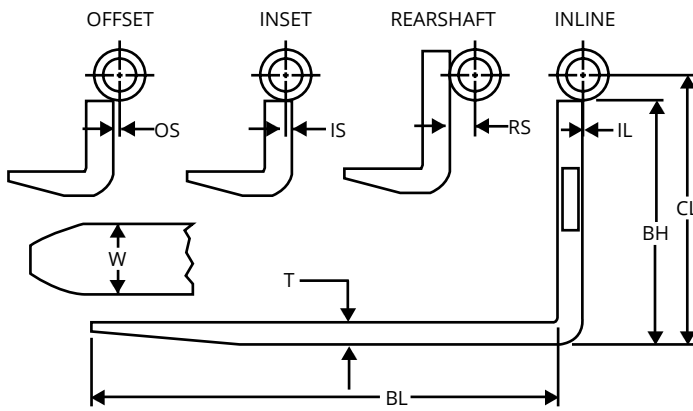
Shaft/Pin/Bar Type Forks



Order information

Business name:			Phone:	
Contact name:			Fax:	
Email:				
Truck make:	Truck model:	Truck capacity:	Fork capacity/pair:	Load centre:

Fork Details

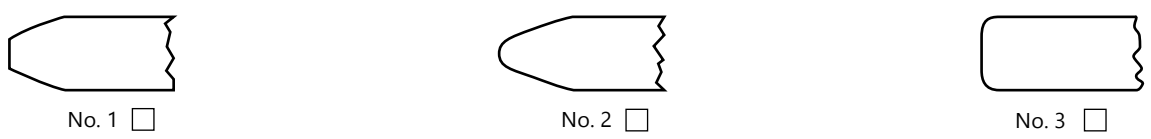


Is tube slotted?
 Yes No
 (circle one)
 If yes, show dimensions (sa to TU)

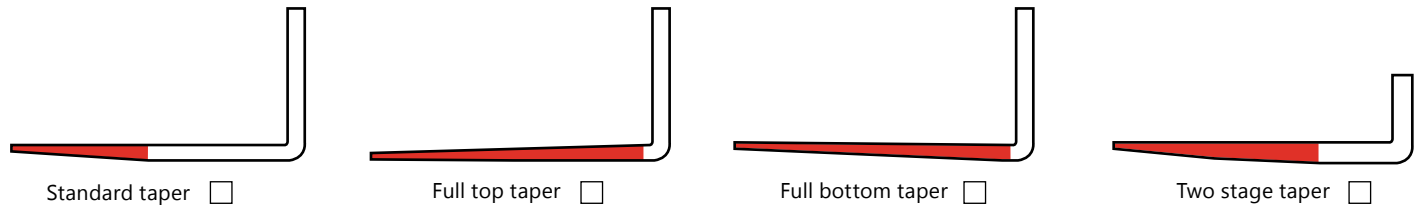
W:	OS:
T:	IS:
BL:	RS:
BH:	IL: 0
CL:	

Bar pin Ø:	sa:
Tube in Ø:	sd:
Tube out Ø:	sl:
TU:	sw:

Fork tips



Taper



Please email duly completed form to fourches@vallee.ca or fax to (418) 268-4740.
 For inquiries, call (418) 269-8955, ext. 113.